



SINGLE-USE FLEXIBLE
ENDOSCOPE SOLUTION

WHEN VISION MATTERS

WHY CHOOSE INNOVEX?

- ✓ Integrates into existing theatre equipment
- ✓ Fast, easy set-up
- ✓ Small footprint digital video processor
- ✓ Complete hospital solution with a full range of flexible Endoscopes, Cystoscopes, Ureteroscopes, Bronchoscopes, & Choledochoscopes

The **INNOVEX** Single-Use Flexible Endoscope Solution provides superior clarity, covering the endoscopy needs of multiple departments, while eliminating the cost and risk associated with reprocessing and cross-contamination.



Proudly distributed by



Endotherapeutics
IMPROVING HEALTHCARE

The new **INNOVEX** single-use flexible endoscope range is designed to provide the same high quality performance, look and feel you expect from a reusable scope in a groundbreaking single-use platform.

With a comprehensive range covering the needs of multiple departments, the **INNOVEX** range raises the standard of patient care by eliminating infection risk due to ineffective reprocessing and cross-contamination.

INNOVEX saves valuable staff time, enables higher volumes of procedures, reduces costs associated with reprocessing and eliminates repair costs.

INNOVEX single-use flexible endoscopes provide a time efficient and cost effective solution for all healthcare providers.

PRODUCT DETAILS



LIGHTWEIGHT

Lightweight to help reduce fatigue.



EASY MANOEUVRABILITY

Superior deflection and precise tip motion makes navigation easy.



HIGH-QUALITY IMAGING

Autofocus, white balance and adaptive LED light control function guarantee clear and sharp images - better diagnosis and treatment of tumours.



FAMILIAR FUNCTIONS

Controls and working channel layout are designed to bring a familiar feel to reusable scopes.



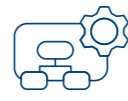
SINGLE-USE STERILISATION

Each scope is sterilised and intended for single-use, eliminating the risk of cross-contamination between patients, health care providers, and staff due to ineffective reprocessing.



NO REPROCESSING/REPAIRS REQUIRED

Streamline workflow and enhance efficiency by eliminating labour- and cost-intensive reprocessing and repairs.



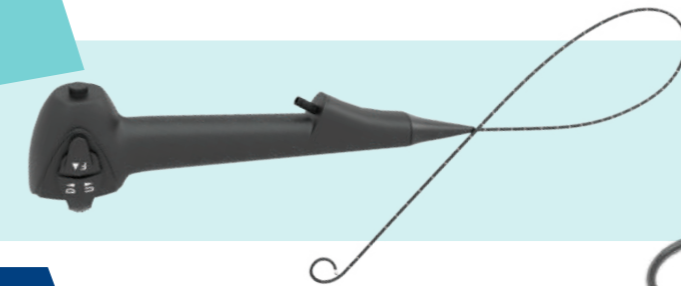
ALL IN ONE HOSPITAL SOLUTION

The full range of Innovex single use endoscopes all connect to the same digital video processor (DVP).

SINGLE-USE
FLEXIBLE
CYSTOSCOPE



SINGLE-USE
FLEXIBLE
URETEROSCOPE



SINGLE-USE
FLEXIBLE
BRONCHOSCOPE



SINGLE-USE
FLEXIBLE
CHOLEDOCHOSCOPE

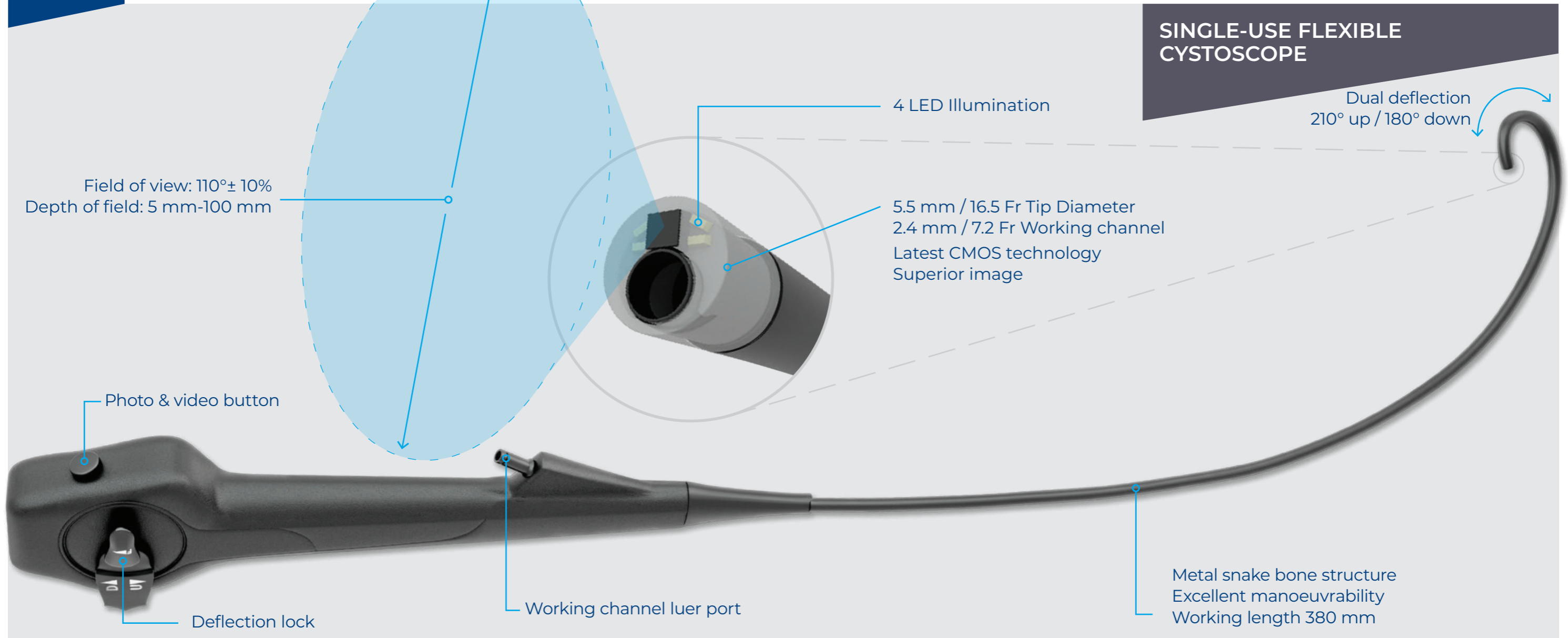


SINGLE-USE
FLEXIBLE
MINI
CHOLEDOCHOSCOPE



SINGLE-USE
FLEXIBLE
CHOLEDOCHOSCOPE
FOR ERCP





PRODUCT ADVANTAGE

- Superior image: CMOS 800 x 800 pixels= 640,000 pixels resolution
- Bright illumination: 4 LEDs
- Advanced image algorithm
- Field of view: 110°± 10%
- Depth of view: 5-100 mm

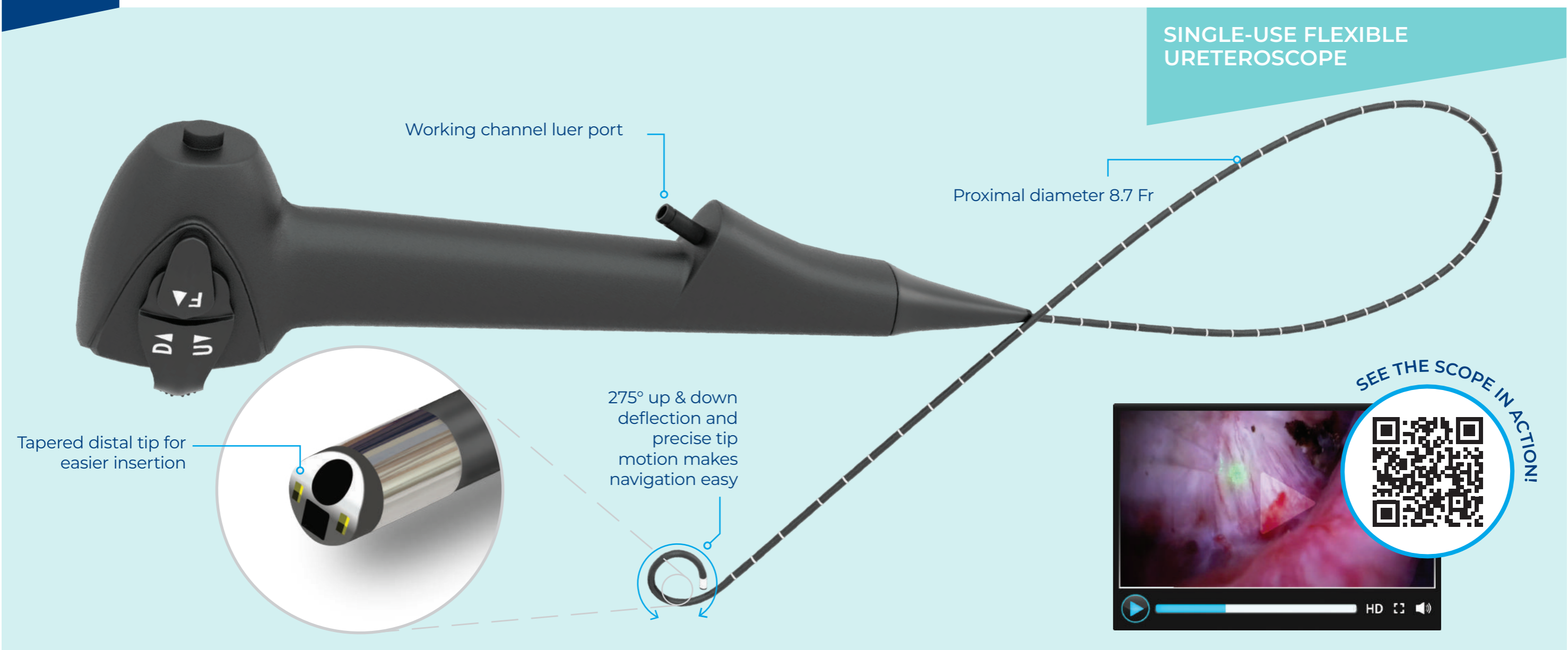
MORE FEATURES

- Metal snake bone structure – better manoeuvrability and pushability
- Working length 380 mm
- Distal end outer diameter 5.5 mm / 16.5 Fr
- Insertion section diameter 5.2 mm / 15.6 Fr
- Large kink resistant working channel inner diameter 2.4 mm / 7.2 Fr
- Deflection: up 210°, down 180°
- Deflection lock - can stop at any deflection angle
- Quick access to photo and video button

BENEFITS

- ✓ Light weight cystoscope with deflection lock to reduce fatigue
- ✓ Always available when there is a high risk of damaging a reusable cystoscope
- ✓ Always available whenever demand for reusable cystoscopes is exceeded
- ✓ Clear, sharp images for all cystoscopic procedures
- ✓ Large working channel for better irrigation and easy instrument insertion
- ✓ Always clean and sterile reducing potential contamination risk from reprocessing
- ✓ Integrates into existing theatre equipment

SINGLE-USE FLEXIBLE
URETEROSCOPE



PRODUCT ADVANTAGE

- Superior image: CMOS 400 x 400 pixels= 160,000 pixels resolution
- Bright illumination: 2 LEDs
- Advanced image algorithm
- Field of view: 110°± 10%
- Depth of view: 3-100 mm
- Tapered distal tip for easier insertion

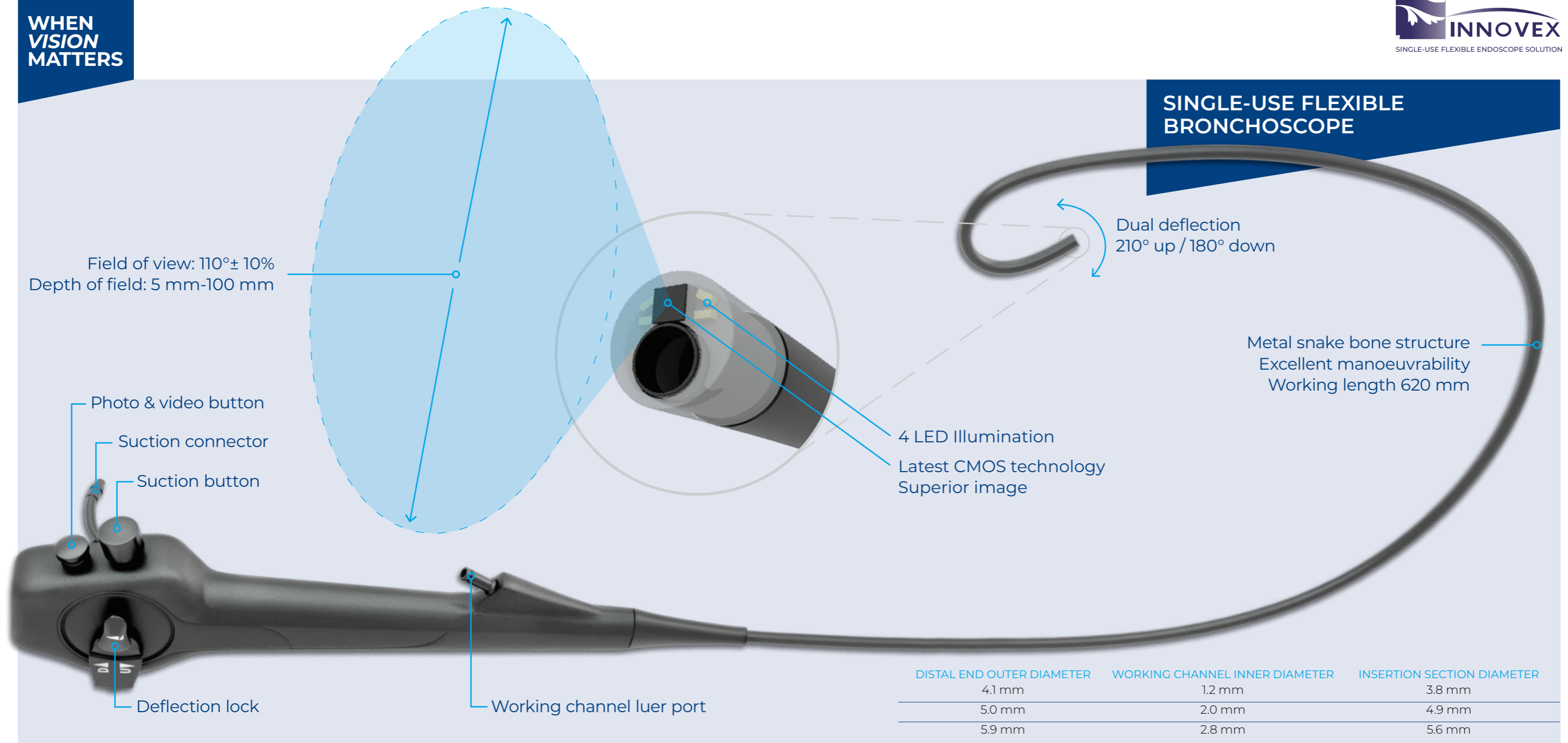
MORE FEATURES

- Metal snake bone structure – better manoeuvrability and pushability
- Working length 670 mm
- Distal end outer diameter 3.2 mm / 9.6 Fr
- Insertion section diameter 2.9 mm / 8.7 Fr
- Super smooth kink resistant working channel diameter 1.2mm/3.6 Fr
- Superior dual deflection: 275° up and down
- Deflection lock - can stop at any deflection angle
- Quick access to photo and video button

BENEFITS

- ✓ Light weight ureteroscope to reduce fatigue
- ✓ Always available when there is a high risk of damaging a reusable ureteroscope
- ✓ Always available whenever demand for reusable ureteroscopes is exceeded
- ✓ Clear, sharp images for all ureteroscopic procedures
- ✓ Fits through a 10 Fr access sheath
- ✓ Always clean and sterile reducing potential contamination risk from reprocessing
- ✓ Small footprint & integrates into existing theatre equipment

SINGLE-USE FLEXIBLE BRONCHOSCOPE



PRODUCT ADVANTAGE

- Superior image: CMOS 800 x 800 pixels= 640,000 pixels resolution
- Bright illumination: 4 LEDs
- Advanced image algorithm
- Field of view: 110°± 10%
- Depth of view: 5-100 mm

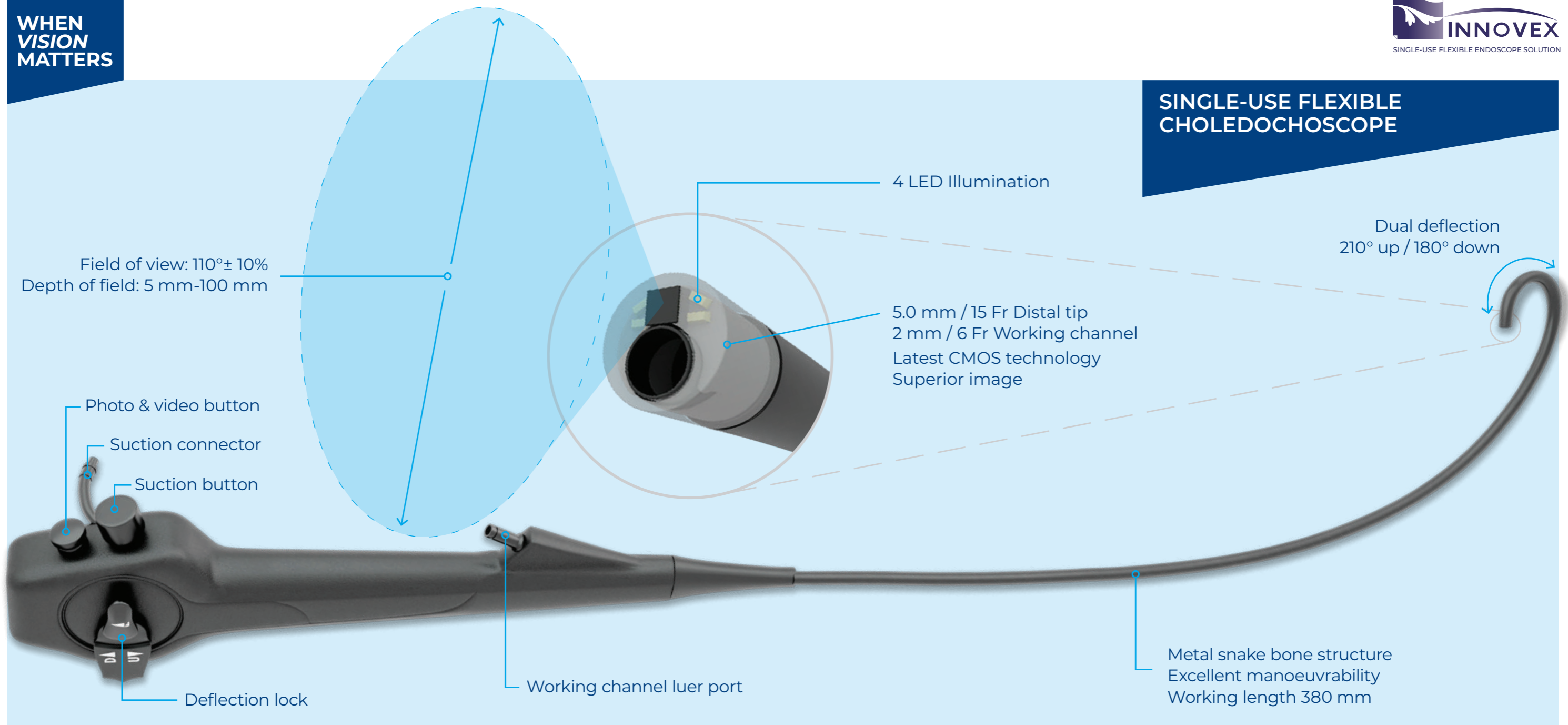
MORE FEATURES

- Metal snake bone structure – better manoeuvrability and pushability
- Working length 620 mm
- Super smooth kink resistant working channel
- Deflection: up 210°, down 180°
- Photo and Video button
- Suction button and suction connector
- Deflection lock - can stop at any deflection angle
- Quick access to button for video and photo

BENEFITS

- ✓ Light weight bronchoscope reduces fatigue
- ✓ Always available when there is a high risk of damaging a reusable bronchoscope
- ✓ Always available whenever demand for reusable bronchoscopes is exceeded
- ✓ Clear, sharp images during bronchoscopic procedures
- ✓ Always clean and sterile reducing potential contamination risk from reprocessing
- ✓ Integrates into existing theatre equipment

**SINGLE-USE FLEXIBLE
CHOLEDOCHOSCOPE**



PRODUCT ADVANTAGE

- Superior image: CMOS 800 x 800 pixels= 640,000 pixels resolution
- Bright illumination: 4 LEDs
- Advanced image algorithm
- Field of view: 110°± 10%
- Depth of view: 5-100 mm

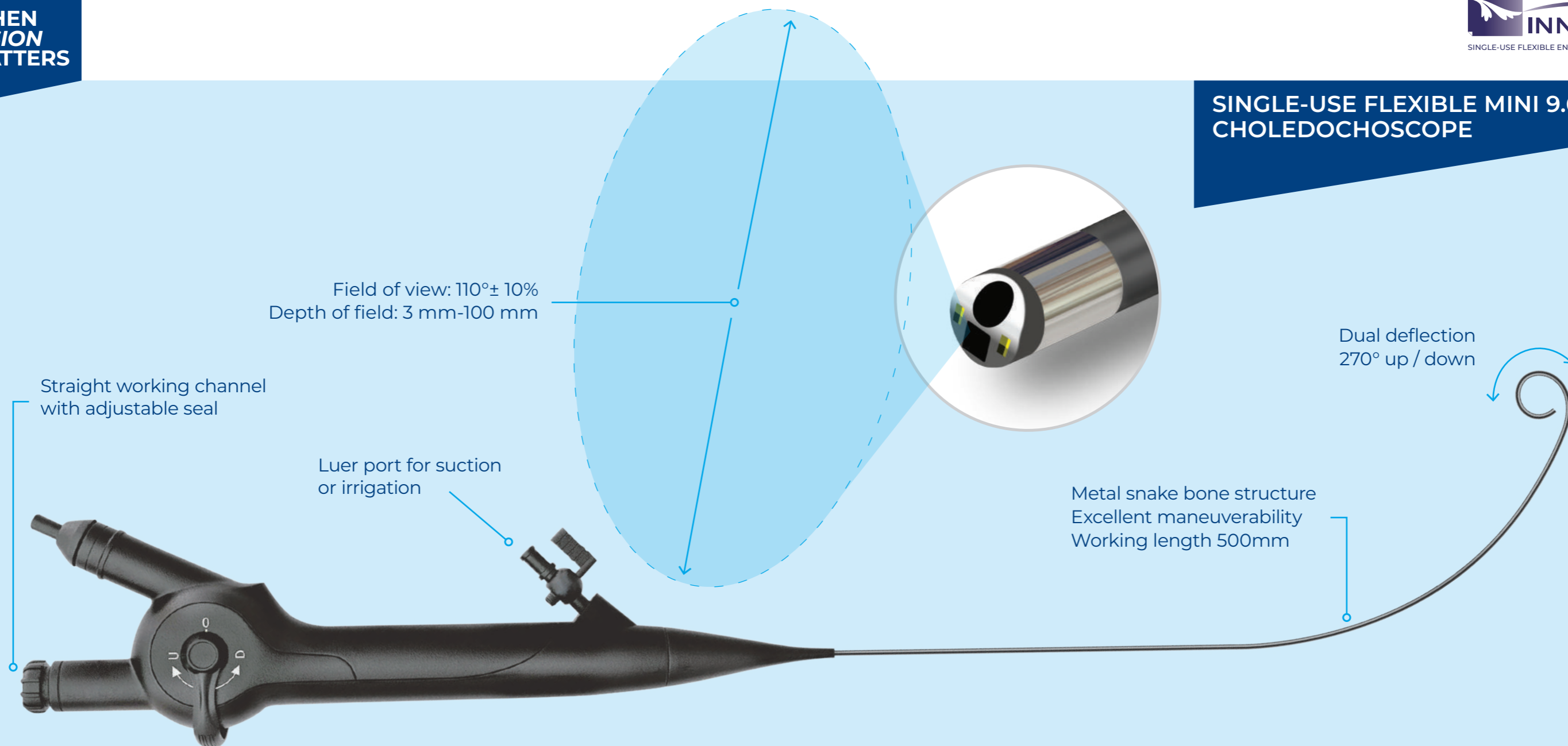
MORE FEATURES

- Metal snake bone structure – better manoeuvrability and pushability
- Working length 380 mm
- Distal end outer diameter 5.0 mm / 15 Fr
- Insertion section diameter 4.9 mm / 14.7 Fr
- Super smooth kink resistant working channel inner diameter 2.0 mm / 6 Fr
- Deflection: up 210°, down 180°
- Suction button and suction connector
- Deflection lock - can stop at any deflection angle
- Quick access to button for video and photo

BENEFITS

- ✓ Light weight choledochoscope reduces fatigue
- ✓ Always available when there is a high risk of damaging a reusable choledochoscope
- ✓ Always available whenever demand for reusable choledochoscope is exceeded
- ✓ Clear, sharp images during bile duct procedures
- ✓ Always clean and sterile reducing potential contamination risk from reprocessing
- ✓ Integrates into existing theatre equipment

**SINGLE-USE FLEXIBLE MINI 9.6Fr
CHOLEDOCHOSCOPE**



PRODUCT ADVANTAGE

- Superior image: CMOS 400 x 400 pixels= 160,000 pixels resolution
- Bright illumination: 2 LEDs
- Advanced image algorithm
- Field of view: 110° ± 10%
- Depth of view: 3-100 mm

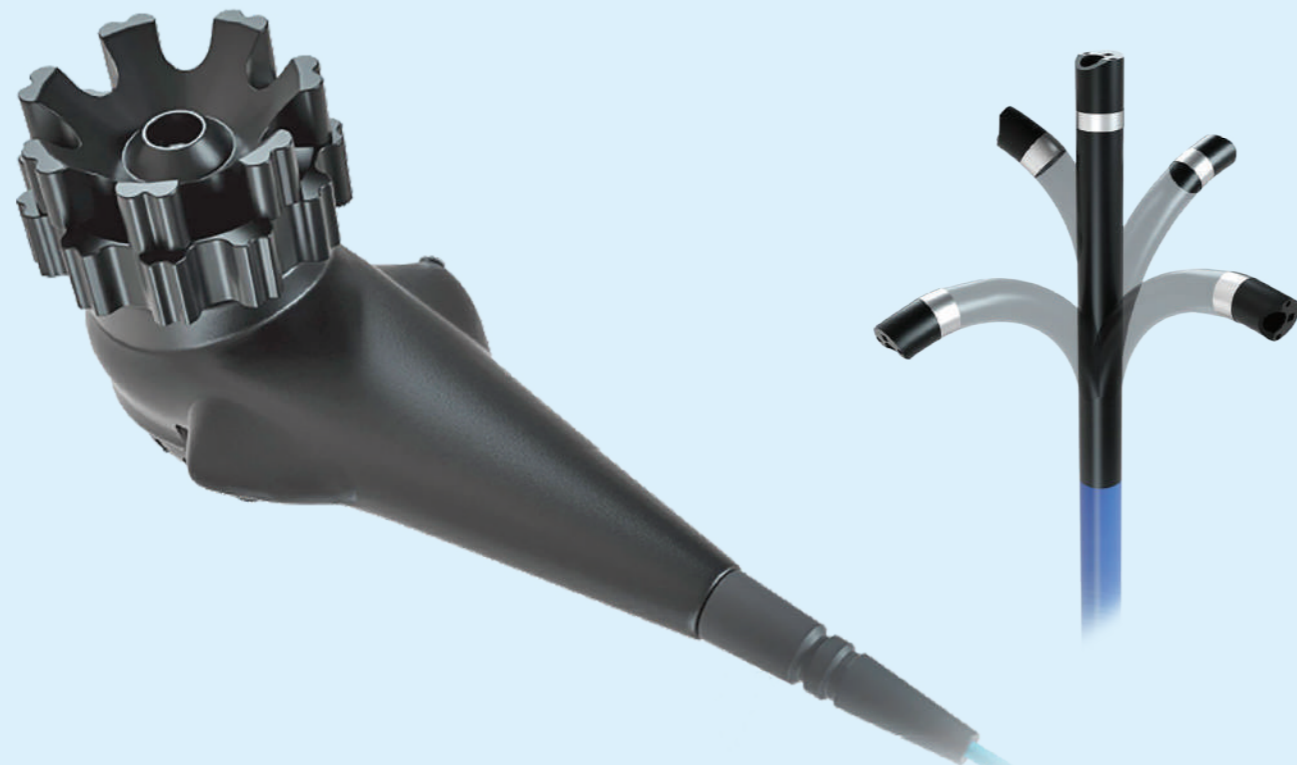
MORE FEATURES

- Metal snake bone structure – better manoeuvrability and pushability
- Working length 500 mm
- Distal end outer diameter 3.2 mm / 9.6 Fr
- Insertion section diameter 3.2 mm / 9.6 Fr
- Super smooth kink resistant working channel inner diameter 1.2 mm / 3.6 Fr
- Superior dual deflection: 270° up and down
- Straight working channel with adjustable seal
- Separate port for irrigation and suction

BENEFITS

- ✓ Light weight choledochoscope reduces fatigue
- ✓ Always available when there is a high risk of damaging a reusable choledochoscope
- ✓ Always available whenever demand for reusable choledochoscope is exceeded
- ✓ Clear, sharp images during bile duct procedures
- ✓ Always clean and sterile reducing potential contamination risk from reprocessing
- ✓ Integrates into existing theatre equipment

**SINGLE-USE FLEXIBLE
CHOLEDOCHOSCOPE
FOR ERCP**

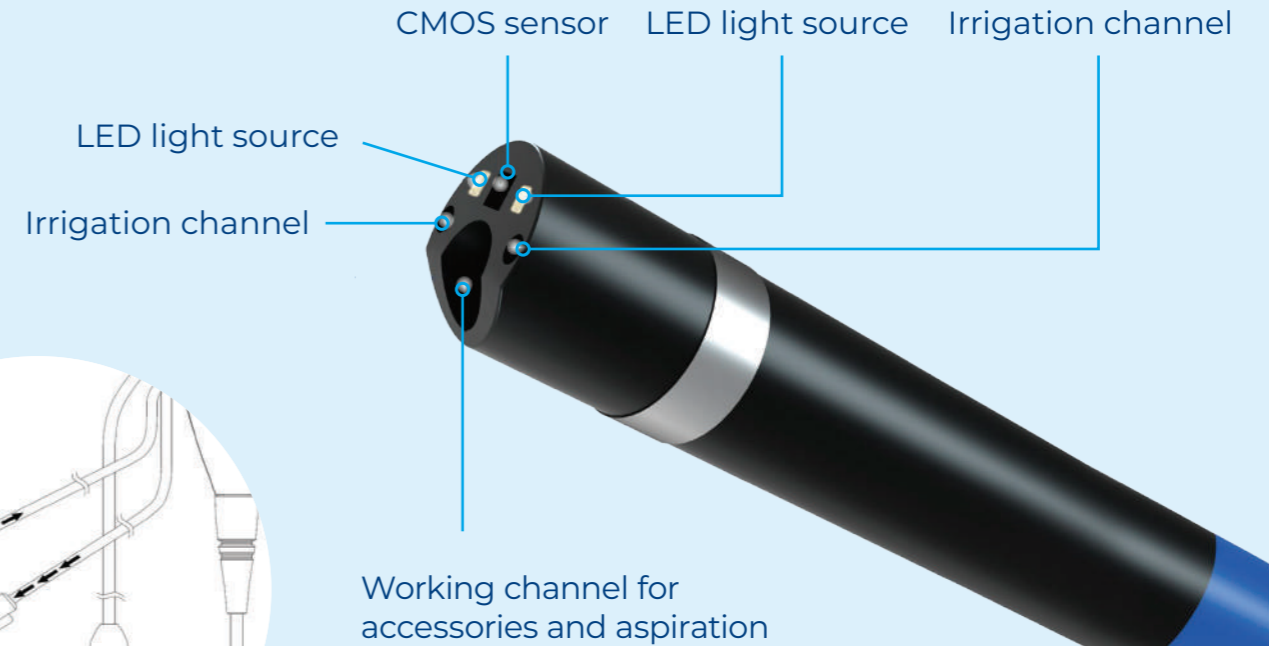
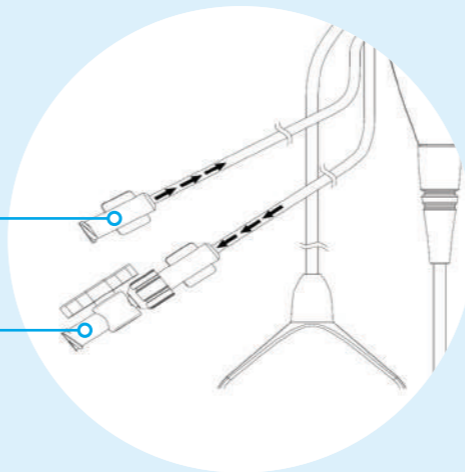


Irrigation and aspiration

Y-Luer for accessories in the working channel and/or allows for instillation of fluids and alternative irrigation/aspiration

4 direction deflection by Big deflection wheel & Small deflection wheel

Irrigation port
aspiration port



PRODUCT ADVANTAGE

- Superior image: CMOS 400 x 400 pixels= 160,000 pixels resolution
- Bright illumination: 2 LEDs
- Advanced image algorithm
- Field of view: 110°± 10%
- Depth of view: 5-100 mm

MORE FEATURES

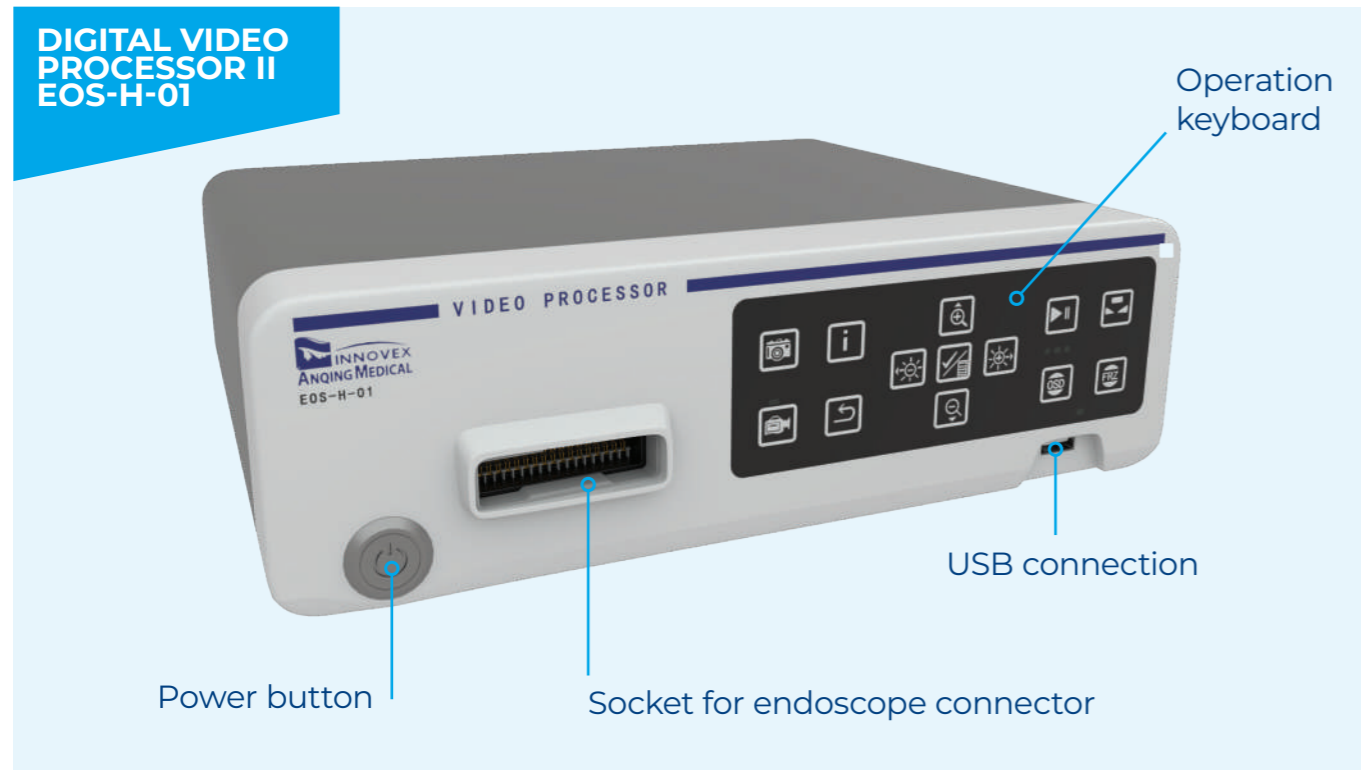
- “Mother-baby” Cholangioscopy technology
- Insertion working length: 214 cm
- Outer Diameter 3.6 mm / 10.8 Fr
- Super smooth kink resistant working channel inner diameter 1.2 mm / 3.6 Fr
- Four Way Deflection range 30° with accessories in working channel

BENEFITS

- ✓ High Resolution imaging and therapy capabilities during an endoscopic retrograde cholangiopancreatography (ERCP) procedures
- ✓ Universal working channels allows for any brand of compatible instrumentation
- ✓ Always available, clean and sterile reducing potential contamination risk from reprocessing
- ✓ Clear, sharp images during bile duct procedures
- ✓ Integrates into existing theatre equipment

ONE DVP FOR ALL SOLUTIONS

DIGITAL VIDEO PROCESSOR II EOS-H-01



PRODUCT FEATURES

- Small footprint works with existing endoscopy towers
- All Innovex Endoscopes compatible with the one DVP
- High capacity processor: Advanced image algorithm to improve image quality
- USB connection for external big capacity storage device
- Internal battery for time clock
- USB connection for external keyboard to simplify input operation
- Signal output: 2 DVI + 1 SDI + 1 VGA
- Accurate time counting
- Memorise last time settings before new settings

NEW INNOVEX MOBILE STATION

PRODUCT FEATURES

- Optional mobile station solution (where existing monitors are not available)
- Mobile solution for operating theatres, outpatient and emergency departments
- High quality 21" medical grade monitor
- Small footprint, slim design
- Drawer for storage and four lockable twin castors



SINGLE-USE FLEXIBLE ENDOSCOPES SPECIFICATIONS AND TECHNICAL DATA

	CYSTOSCOPE	URETEROSCOPE	BRONCHOSCOPE
Product Code	INN CY55H-24EU	INN US31D-12-EU	INN BS41H-12EU INN BS50H-20EU INN BS59H-28EU
Image Resolution	640K – CMOS 800x800 pixels	160K – CMOS 400x400 pixels	640K – CMOS 800x800 pixels
LEDs	4	2	4
Field of View	110°± 10%	110°± 10%	110°± 10%
Depth of View	5-100 mm	3-100 mm	5-100 mm
Shaft Design	Metal Snake Bone Structure	Metal Snake Bone Structure	Metal Snake Bone Structure
Fully Disposable	Yes	Yes	Yes
Distal End Outer Diameter	5.5 mm 16.5 Fr	3.2 mm 9.6 Fr	3 sizes 4.1 mm 12.3 Fr 5.0 mm 15 Fr 5.9 mm 17.7 Fr
Working Length	380 mm	670 mm	620 mm
Insertion Section Shaft	5.2 mm 16.5 Fr	2.9 mm 8.7 Fr	3 sizes 3.8 mm 11.4 Fr 4.9 mm 14.7 Fr 5.6 mm 16.8 Fr
Working Channel Diameter	2.4 mm 7.2 Fr	1.2 mm 3.6 Fr	3 sizes 1.2 mm 3.6 Fr 2.0 mm 6 Fr 2.8 mm 8.4 Fr
Deflection	Up 210° / Down 180°	Up 275° / Down 275°	Up 210° / Down 180°
Suction	No	No	Yes

SINGLE-USE FLEXIBLE ENDOSCOPES SPECIFICATIONS AND TECHNICAL DATA

	MINI CHOLEDOCHOSCOPE	CHOLEDOCHOSCOPE	CHOLEDOCHOSCOPE FOR ERCP
Product Code	INN CF132B-12-EU	INN CS50H-20EU	INN CD136A-12
Image Resolution	160K – CMOS 800x800 pixels	640K – CMOS 800x800 pixels	160K – CMOS 400x400 pixels
LEDs	2	4	2
Field of View	110°± 10%	110°± 10%	110°± 10%
Depth of View	3-100 mm	5-100 mm	5-100 mm
Shaft Design	Metal Snake Bone Structure	Metal Snake Bone Structure	Metal Snake Bone Structure
Fully Disposable	Yes	Yes	Yes
Distal End Outer Diameter	3.2 mm 9.6 Fr	5.0 mm 15 Fr	3.6 mm 9.6 Fr
Working Length	500 mm	380 mm	670 mm
Insertion Section Shaft	3.2 mm 9.6 Fr	4.9 mm 14.7 Fr	2.9 mm 8.7 Fr
Working Channel Diameter	1.2 mm 3.6 Fr	2.0 mm 6 Fr	1.2 mm 3.6 Fr
Deflection	Up 270° / Down 270°	Up 210° / Down 180°	4 Direction 30°
Suction	No	Yes	Yes

Proudly distributed by



Endotherapeutics
IMPROVING HEALTHCARE



Proudly distributed by

Endotherapeutics
IMPROVING HEALTHCARE



1300 00 ENDO (3636)

info@endotherapeutics.com.au

www.endotherapeutics.com.au